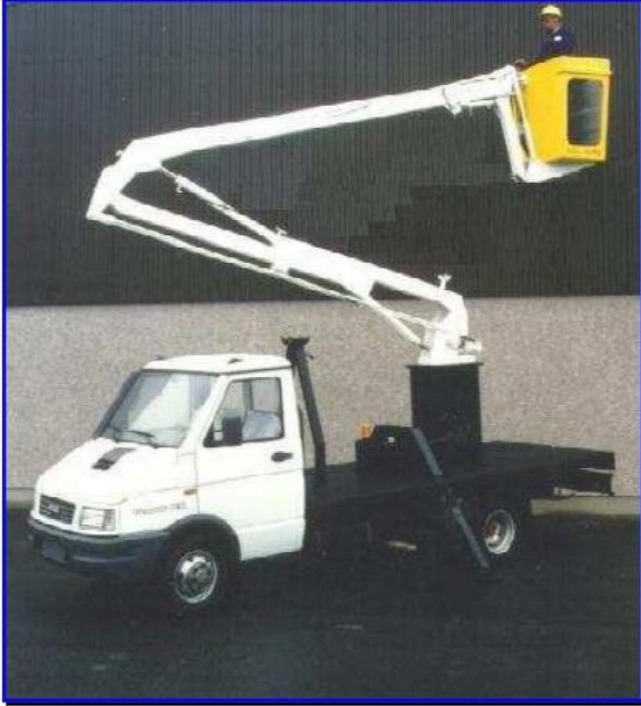


TRANSLINK

RANGER A - 125



FULLY HYDRAULIC, ROBUST
&
SAFE OPERATION

NEW!

The new Translink **RANGER A-125** is an Aerial Work Platform designed with safety and reliability in mind and to meet and exceed all the International Standards. Its rugged design is especially suited to the demands of maintenance and repair work for both the private and public sectors.

The **RANGER A-125** is complete interlocked for maximum safety

Cage

Manufactured from Glass Reinforced Plastic insulated against accidental contact up to a test voltage of 3,000v.

The cage is fitted as standard with two Operator Harness anchor points. Knee bars are standard on the access portholes.

The cage automatically maintains its horizontal operating position using a mechanical levelling system.

Controls

Fully hydraulic boom controls. Standard single controls in cage – optional dual controls at base.

Stabilisers

Full hydraulic 'A' frame stabilisers fitted with foot plates to reduce ground pressures. The stabiliser cylinders are fully protected against external damage, by being contained within rectangular hollow tubes. Interlock valves are fitted as standard.

Booms

The Articulated booms are designed to provide maximum strength with minimum weight. All boom cylinders are fitted with lock valves as standard to prevent descent in the unlikely event of hose failure, making them "Fail Safe".

The booms are interlocked with the stabilisers to prevent elevation until the stabilisers are deployed

Subframe

The **RANGER A-125** has a substantial subframe designed to take all the loadings imposed by the operation of the booms and transmit them directly to the stabilisers.

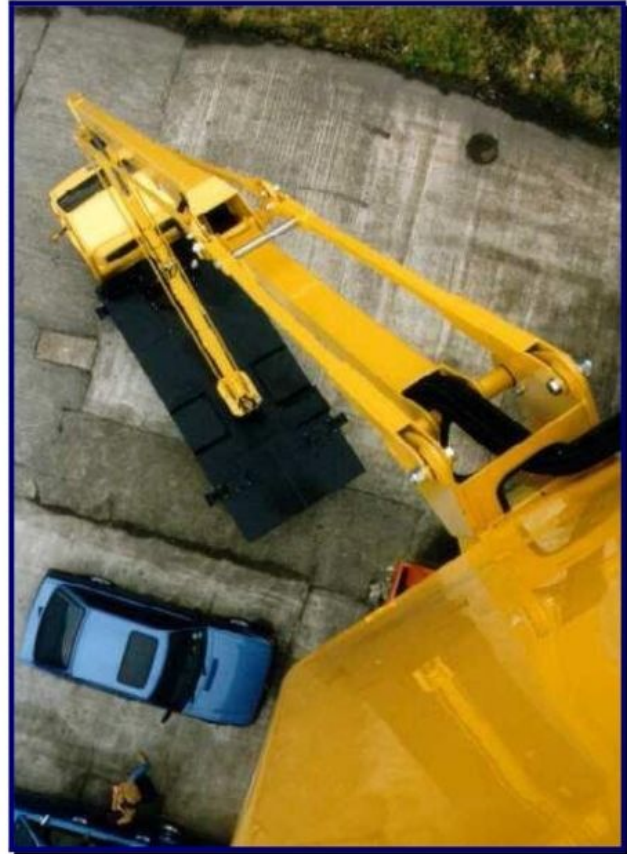
Power Supply

The Hydraulic pump is driven directly from the Vehicle engine via a power take off (PTO)

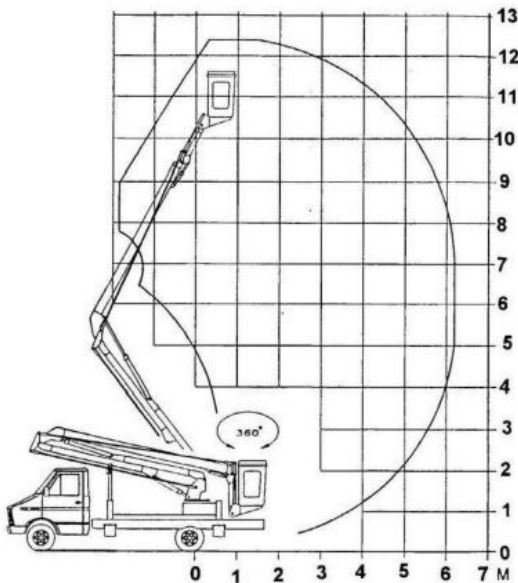
RANGER A - 125



Cage hydraulic controls, showing the 2 x Safety Harness anchor points for the Operators



View from the cage showing the third boom and dual levelling arms



Specifications RANGER A-125

Max. Working Height	12.50m
Max. Cage floor height	10.50m
Max. Out Reach	6.20m
Max. Safe working load	200Kg
Cage size	1.1x0.66x1.1
Cage material	GRP
Rotation (non continuous)	360°
Insulation	2kV
Chassis Requirement	
GW (Minimum)	3,500Kg
Wheel base (Minimum)	3,500mm

FULL RANGE OF OPTIONS AVAILABLE

TRANSLINK International Sales Ltd.,

The Pigpen, Mill Farm, Farlow, Kidderminster, Worcestershire, DY14 0LP. UK

Tel : +44 (0)1746 718 740 Fax : +44 (0) 1746 718 540

E-mail: translink-international@dial.pipex.com

www.translink-international.com